

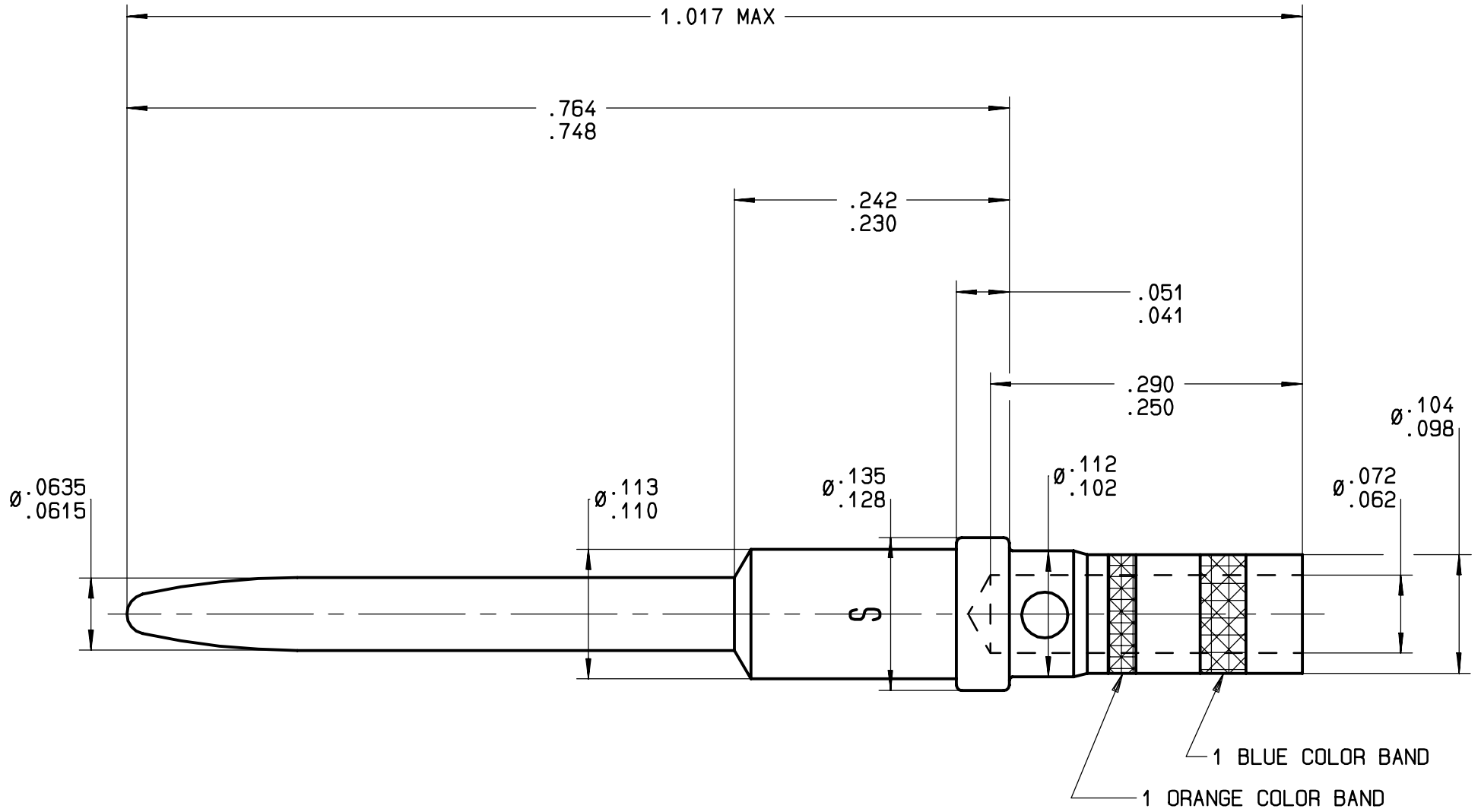


Series
NSX

SIZE 16 CRIMP REMOVABLE PIN CONTACT

Issue:
12 APRIL 96

Page
1 / 1



MATERIAL AND FINISH :
COPPER ALLOY - GOLD OVER NICKEL

WIRES ACCOMODATED : AWG 16-18-20
INSULATION DIAMETER : .130 MAX
STRIP LENGTH : .236

TOOLING
CRIMPING TOOL : M22520/1-01 RADIALL 282 291
SELECTOR POSITION : 6 FOR AWG 16
5 FOR AWG 18
4 FOR AWG 20

POSITIONER : M22520/1-02 RADIALL 282 972
INSERTION AND EXTRACTION TOOL : M81969/1-03 RADIALL 282 546

This information is given as an indication. In the continual goal to improve our products, we reserve the right to make any modifications judged necessary.

4112-9311

| | | | | |
|-----------------|-----------|--|----------|----------|
| CREATION | | | | |
| PEN: . | | | | |
| NOM: L FALETTI | 12 APR 96 | SELECTOR POSITION MODIFIED DIMENSIONS MODIFIED ACCORDING TO ARINC 600 | VALGRESY | |
| DATE: 27 APR 83 | 05 APR 96 | REDRAWN | VALGRESY | BALDYROU |
| APPR.: | Issue | Revisions | Name | Approved |

A620230